

NATIONAL TIME revolutionizes the timekeeping industry again with our Ethernet Time series of devices. Our next generation technology eliminates the complexity and high costs of today's Power-over-Ethernet (PoE) approach and delivers the simplest, most affordable answer to reliable, precise time throughout your facility, your campus, or your worldwide operations. Unlike traditional PoE systems, our Ethernet Time solution transmits time data and power over a single pair of wires without dedicated wire runs to each clock! Combine with our line of Ethernet Time Masters (Bulletin C-503) to create the lowest cost ethernet time system with the quality and durability you have come to expect from National Time. Limit the IT rack space and heat dissipation required with traditional dedicated ethernet cable wiring and extend the range beyond the 300 feet limit to thousands of feet. The instant correction speed of our mechanisms will eliminate the time discrepancies found in other systems. An on-board microprocessor continuously monitors the hand position to ensure accurate time display and does not require any user intervention to re-calibrate the hand location like others. Our powerful Rotary Drive design guarantees to outperform all existing clock technology without sacrificing the unsurpassed durability you have come to expect from National Time's synchronous motor drive systems.

Each clock is equipped with an all metal case and white polystyrene dial having black markings and hands. A sway-proof hanger plate is furnished that securely holds clock to wall. Cases are attractively finished in Powder Gray enamel. Other finishes and glass or shatterproof lens are available upon request. Shatterproof lens now standard on 12" round. Refer to Bulletin C-323 for classic dial series.



Case Style FR  
Flush Round



Case Style FQ  
Flush Square



Case Style DR  
Double Round

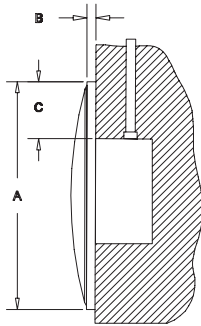


Case Style DQ  
Double Square

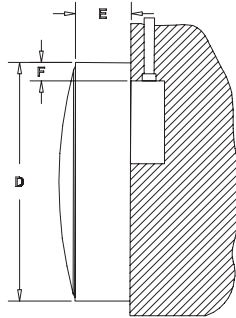
## Benefits:

- Easily synchronize clocks to other building systems
- Revolutionary Rotary Drive design for longest life
- Microprocessor controlled hand position for unsurpassed accuracy
- Instant correction reduces down time and occupant confusion
- Ethernet Time information and power over 2-wires prove lowest installation costs
- POE operation without costly switches and one-to-one wiring

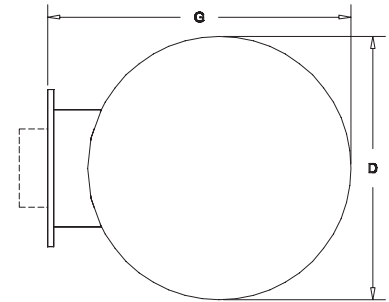
## Flush/Surface Mount Clocks



**Flush Clock**  
mounts to  
#143 Wall Box  
7"H x 8.5"W x 3.25"D  
(order separately)



**Surface Clock**  
mounts to  
Single Gang or  
Handy Box  
(by others)

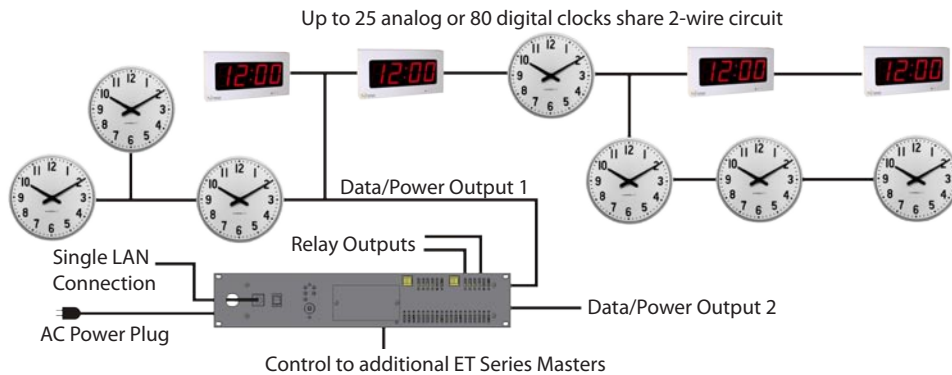


**Double Face**  
mounts to  
4-Square Box  
(by others)

Dial Size	A	B	C	D	E	F	G
10" Round	11.25"	0.50"	2.00"	11.62"	3.00"	1.13"	14.00"
12" Round	13.00"	0.50"	3.25"	13.44"	3.00"	0.81"	16.00"
12" Square	12.50"	0.50"	2.75"	12.50"	3.00"	0.62"	14.50"
16" Round	16.50"	0.50"	4.75"	17.00"	3.00"	0.75"	19.00"
24" Round	24.00"	0.50"	8.00"	24.00"	3.00"	0.69"	26.00"

Power Consumption: 10mA@24VAC average operating; 160mA@24VAC max (resetting)

## Typical System Layout



## Ordering Information

### Case Style

F: Flush  
S: Surface  
D: Double Face

### Shape

R: Round  
Q: Square

Size  
SP=Shatter-Proof convex crystal  
(Leave Blank for Standard Glass)  
\*SP Standard on 12" Round.

Example Part Number for **Flush 12" Round ET Series Clock** with shatterproof lens. Order #143 Box separately for Flush Clocks.

### Optional Accessories:

Part No.	Description
143	Flush Back box for all sizes
12WGS	Wire Guard for 10" and 12" Round Clocks
15WGS	Wire Guard for 12" square and 16" Round Clocks
24WGS	Wire Guard for 24" Round Clocks

See Bulletin C-328 for Clock Speaker Assemblies